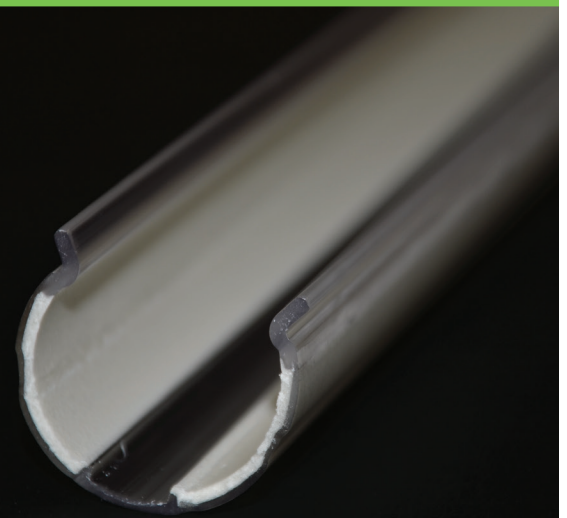


# LITROVISION

TECHNOLOGIES

WE'RE THE LIGHT WHEN ALL ELSE FAILS

*We fill the void in your traditional emergency lighting system.*



**ATTENTION CORPORATE SAFETY DIRECTORS AND SAFETY PROFESSIONALS:  
LITROVISION REDUCES POTENTIAL LIABILITY AND LITIGATION RISKS.**



Designed to work in parallel with existing emergency lighting systems to assist in a safe, well lit exit in the event of a power failure.



Photoluminescent material is energized by the UV light given off by modern fluorescent and LED bulbs.



When charged, unlike most battery power emergency lighting systems, LitroVision never fails.



Does not diminish bulbs typical luminous efficacy.



LitroVision is environmentally green, no batteries required. No batteries means no maintenance. Simply replace the LitroVision sleeve when you replace the bulbs.



Polycarbonate material is virtually unbreakable providing extra protection for expensive bulbs.

## WHERE CAN LITROVISION BE USED?

Emergency lighting is commonly mandatory in all commercial, industrial, educational, religious, institutional, public housing, medical and many other types of facilities. Below are more examples of places where LitroVision can supplement your already existing emergency lighting system:

### COMMERCIAL BUILDINGS

Warehouses, retail stores, manufacturing plants, any facility, especially those without emergency lighting.

### PUBLIC BUILDINGS

Schools, government buildings, office developments, corrections facilities, hospitals, nursing homes.

# USING LITROVISION



*Lights On*



*Power Failure*

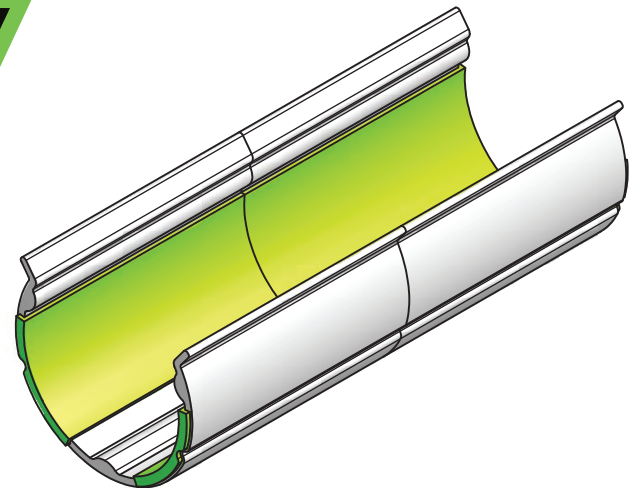


*With LitroVision*

**LitroVision - a complimentary component of your overall safety strategy.**



**Easy to install, they simply snap onto the bulb.**



**Currently available for use with T-8 (1" diameter) bulbs.**

**For more information contact us at: [www.litrovision.com](http://www.litrovision.com)**

LitroVision, LLC  
480 Thompson Road  
Woodville, WI 54028

Contact Tina Johnson for  
more information:  
(800) 772-5888



**US**



Ref. patent # US 9-134-013B2